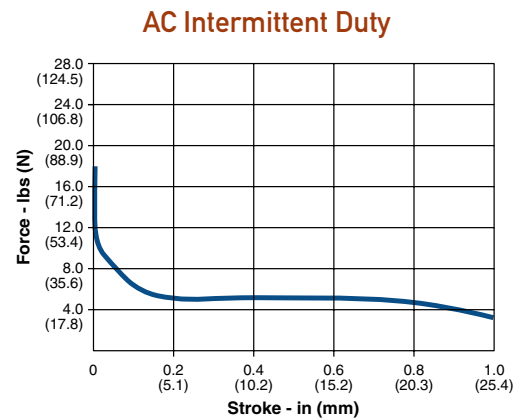
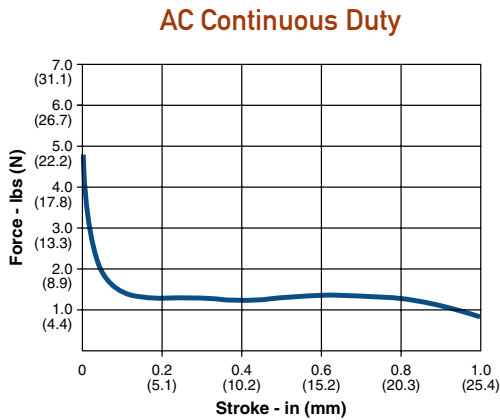


Dormeyer® Box Frame Size B4HD — AC Operation

Specifications

Continuous Duty Cycle	100% at 20°C ambient temperature
Intermittent Duty Cycle	20% on time, 80% off time. On time not to exceed 3 min. at 20°C ambient temperature
Direction of Load Movement	Pull
Coil Insulation	Class "A": 105°C max. temperature standard. Other temperature classes are available
Coil Termination	3/16" QC
Plunger Weight	2.2 oz. (62.4 g)
Total Weight	12.5 oz. (354 g)
Dimensions	See page 24



Duty Cycle	Continuous – 31 VA		Intermittent – 145 VA	
Model	B4HD-1-M-36	B4HD-2-M-36	B4HD-501-M-36	B4HD-502-M-36
Volts — 60Hz (50 Hz avail.)	120	240	120	240
Coil Resistance ± 10% (Ohms at 25°C)	73	320	19.3	78
Amps Seated ± 10%	0.155	0.075	1.146	0.580
Amps at 1/8" ± 10%	0.340	0.187	1.876	0.874
Amps at 1/4" ± 10%	0.460	0.269	2.370	1.147
Amps at 3/8" ± 10%	0.575	0.309	2.804	1.348
Amps at 1/2" ± 10%	0.690	0.381	3.221	1.552
Amps at 5/8" ± 10%	0.805	0.412	3.566	1.729
Amps at 3/4" ± 10%	0.910	0.467	3.875	1.928
Amps at 7/8" ± 10%	1.000	0.517	4.085	2.033
Amps at 1" ± 10%	1.050	0.558	4.214	2.119

NOTES:

1. All data is typical.
2. Force testing is done with the solenoid in the horizontal position.
3. All data reflects operation with no heatsink.
4. Other coil terminations available.
5. 230V/50 Hz models are also available. Please contact us for ordering information.
6. All specifications subject to change without notice.

How to Order

Select the part number from the table provided. (For example, to order a continuous duty cycle unit rated at 120 VAC, specify B4HD-1-M-36.

Please see www.dormeyer-solenoids.com (click on Stock Products tab) for our list of stock products available through our distributors.

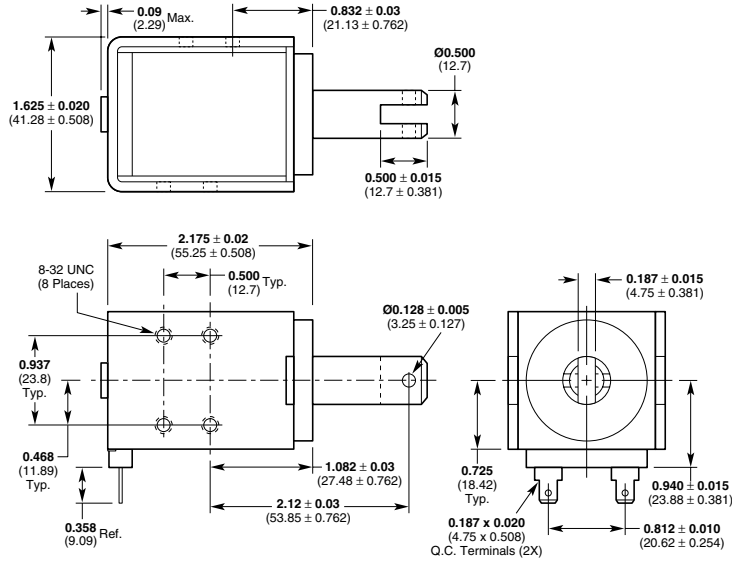
Dormeyer® Box Frame Dimensions

Inches (mm)

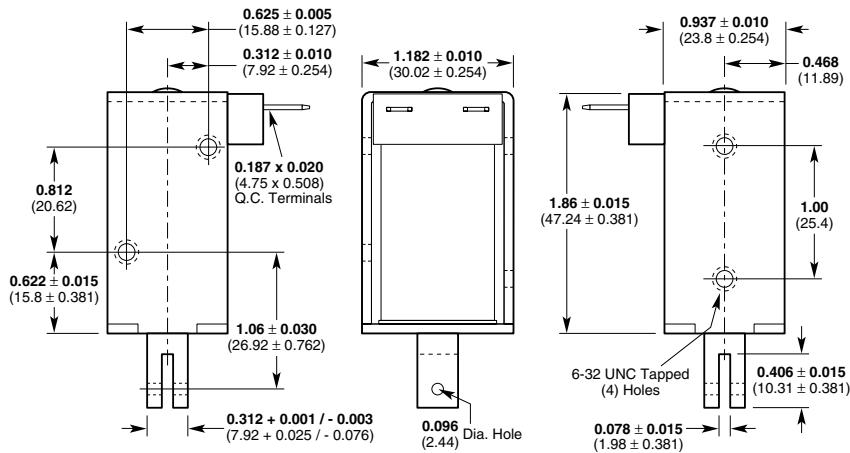
All solenoids are illustrated in energized state

NOTE: Many other metric and American standard threads are available.

B4HD



B11



All specifications subject to change without notice.