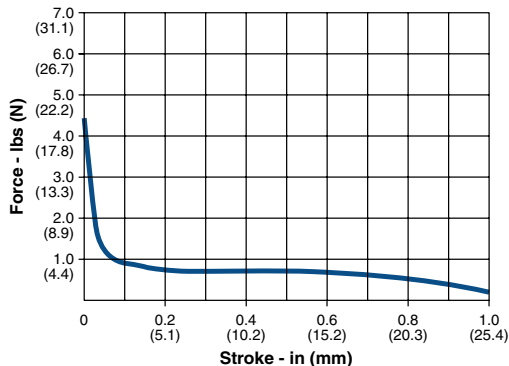


Dormeyer® Box Frame Size B11 — AC Operation

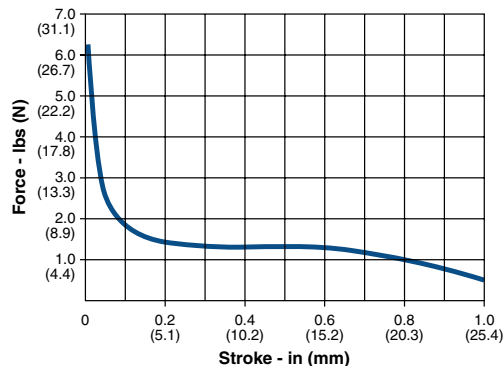
Specifications

Continuous Duty Cycle	100% at 20°C ambient temperature
Intermittent Duty Cycle	20% on time, 80% off time. On time not to exceed 3 min. at 20°C ambient temperature
Direction of Load Movement	Pull
Coil Insulation	Class "A": 105°C max. temperature standard. Other temperature classes are available
Coil Termination	3/16" QC
Plunger Weight	0.6 oz. (17 g)
Total Weight	5.1 oz. (144 g)
Dimensions	See page 24

AC Continuous Duty



AC Intermittent Duty



Duty Cycle	Continuous – 12 VA		Intermittent – 40 VA	
Model	B11-1-M-36	B11-2-M-36	B11-501-M-36	B11-502-M-36
Volts — 60Hz (50 Hz avail.)	120	240	120	240
Coil Resistance ± 10% (Ohms at 25°C)	192	796	79.2	378
Amps Seated ± 10%	0.118	0.067	0.395	0.212
Amps at 1/8" ± 10%	0.239	0.129	0.647	0.308
Amps at 1/4" ± 10%	0.306	0.161	0.775	0.367
Amps at 3/8" ± 10%	0.358	0.182	0.877	0.415
Amps at 1/2" ± 10%	0.409	0.205	0.975	0.458
Amps at 5/8" ± 10%	0.457	0.235	1.063	0.485
Amps at 3/4" ± 10%	0.485	0.249	1.146	0.521

NOTES:

1. All data is typical.
2. Force testing is done with the solenoid in the horizontal position.
3. All data reflects operation with no heatsink.
4. Other coil terminations available.
5. 250V/50 Hz models are also available. Please contact us for ordering information.
6. All specifications subject to change without notice.

How to Order

Select the part number from the table provided. (For example, to order a continuous duty cycle unit rated at 120 VAC, specify B11-1-M-36.

Please see www.dormeyer-solenoids.com (click on Stock Products tab) for our list of stock products available through our distributors.

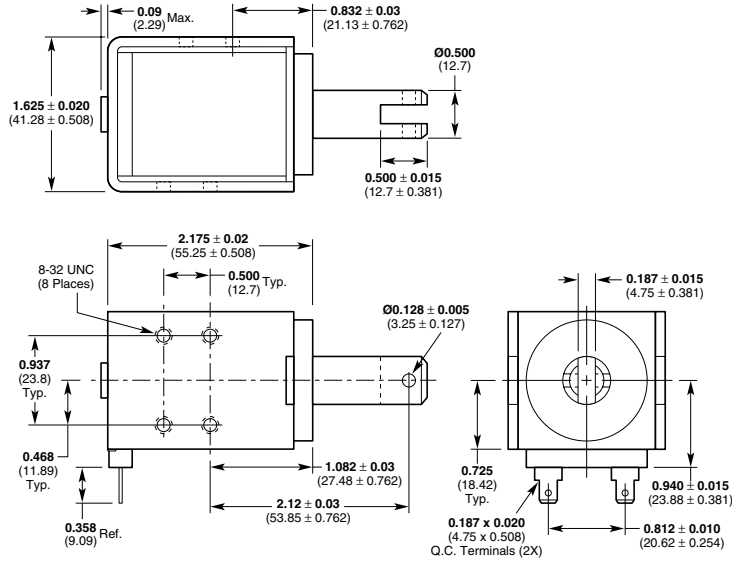
Dormeyer® Box Frame Dimensions

Inches (mm)

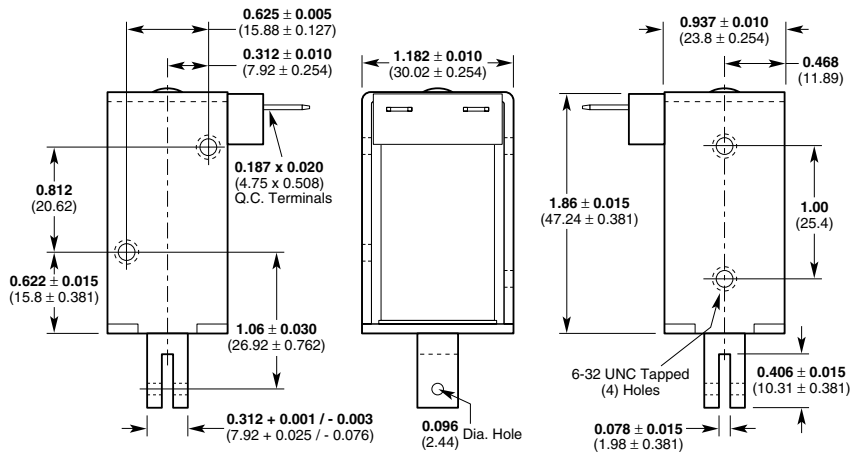
All solenoids are illustrated in energized state

NOTE: Many other metric and American standard threads are available.

B4HD



B11



All specifications subject to change without notice.